

C1448 – 1400 lb Cube Ice Machine

Prodigy™ Modular Cube Ice Maker



Shown on BH900S-C bin.

Features

Prodigy™ cubers use significantly less energy and water than other cube ice machines, exceeding pending California and Federal energy efficiency regulations.

Auto-Alert™ indicator lights constantly communicate about operating status and actually signal your staff when it's time to descale, sanitize, and more—making upkeep practically foolproof.

The patented **WaterSense™ adaptive purge control** delivers maximum reliability by reducing scale buildup for a longer time between cleanings.

Preventative maintenance is simpler than ever with easily-removed panels allowing clear access to internal components and a diagnostic code display insuring the right fix the first time. Reusable air filter is easily removable from the outside.

All external panel components are crafted for **optimal aesthetic appeal** through superior fit and finish.

An optional **advanced feature SmartBoard™** provides NAFEM data protocol and additional operational data that can be displayed on-screen or transmitted remotely, resulting in early alert and fast diagnosis of operating issues.

An optional **Vari-Smart™ ultrasonic ice level control** sensor allows you flexibility to program ice levels, for up to 7 days, keeping just the right amount of freshly made ice in the bin.

24 Hour Volume Production

| Air Cooled | | Remote | | Water Cooled | |
|---------------------------------|--------------|--|---------------------------------|--------------|--|
| 70°F/21°C 50°F/10°C lb/kg | Air Water | ARI 90°F/32°C 70°F/21°C lb/kg | 70°F/21°C 50°F/10°C lb/kg | Air Water | ARI 90°F/32°C 70°F/21°C lb/kg |
| 1553/706 | | 1242/565 | 1357/617 | | 1444/656 |
| | | 1221/555 | | | 1300/591 |



Modular Bin Options

* Stainless Steel with Galvanized Back & Bottom.

| Model Number | Dimensions W" x D" x H" | ARI Certified Bin Capacity lb/kg | Application Capacity lb/kg | Finish | Ship Weight lb/kg |
|--------------|-------------------------|----------------------------------|----------------------------|------------|-------------------|
| B948S | 48 x 34 x 44 | 700/319 | 893/406 | SS | 220/100 |
| BH1100BB | 48 x 34 x 50 | 860/390 | 1100/499 | SS w/ GBB* | 280/127 |
| BH1100SS | 48 x 34 x 50 | 860/390 | 1100/499 | SS | 280/127 |
| BH1300BB | 60 x 34 x 50 | 1100/499 | 1400/635 | SS w/ GBB* | 310/140 |
| BH1300SS | 60 x 34 x 50 | 1100/499 | 1400/635 | SS | 310/140 |



Bin: BH1100SS

Cube Ice



Small Cube
3/8" x 3/8" x 3/8"
(2.22 x 2.22 x .95 cm)

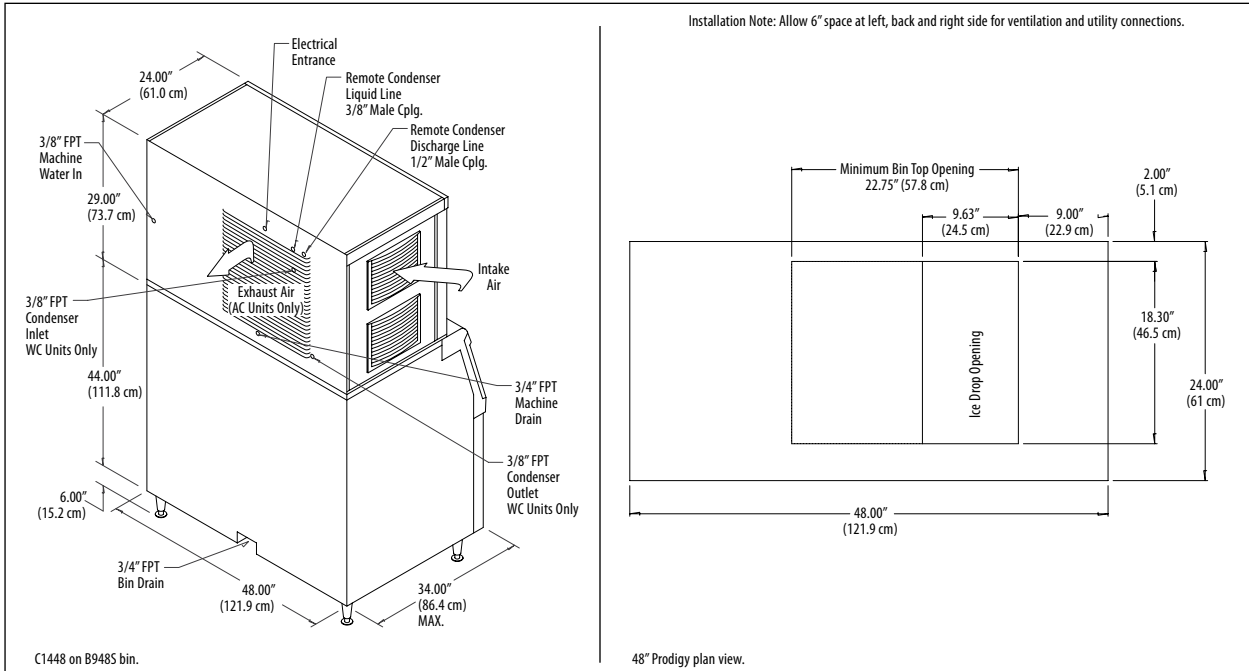
Medium Cube
7/8" x 7/8" x 7/8"
(2.22 x 2.22 x 2.22 cm)

Common ice form, ideal for mixed drinks.

Warranty

- 3 years parts and labor on all components.
- 5 years parts and labor on the evaporator.
- 5 years parts on the compressor and condenser.

Warranty valid in North, South & Central America.
Contact factory for warranty in other regions.



Specifications

| Model Number* <small>Cube Size: medium or small</small> | Condenser Unit | Basic Electrical Volts/Hz/Phase | Max. Fuse Size or HACR Circuit Breaker (amps) | Circuit Wires | Min. Circuit Ampacity | Energy Consumption kWh/100 lb (45.4 kg) 90°F(32°C)/70°F(21°C) | Water Usage Gallons/100 lb (liters/45.4 kg) | |
|--|----------------|------------------------------------|---|------------------|--------------------------|---|--|--|
| | | | | | | | Potable 90°F(32°C)/ 70°F(21°C) | Condenser 90°F(32°C)/ 70°F(21°C) |
| part C1448MA-32A | Air | 208-230/60/1 | 30 | 2 | 17.7 | 4.6 | 18.5/70.2 | - |
| | Remote | 208-230/60/1 | 30 | 2 | 17.0 | 4.8 | 18.7/70.9 | - |
| | Water | 208-230/60/1 | 30 | 2 | 16.0 | 3.7 | 18.3/69.4 | 130.0/492.9 |
| us C1448SA-32A | Air | 208-230/60/1 | 30 | 2 | 17.7 | 4.6 | 18.5/70.2 | - |
| | Remote | 208-230/60/1 | 30 | 2 | 17.0 | 4.8 | 18.7/70.9 | - |
| | Water | 208-230/60/1 | 30 | 2 | 16.0 | 3.7 | 18.3/69.4 | 130.0/492.9 |

* 208-230/60/3 Voltage - Substitute "-3" in place of "-32", i.e. C1448SA-3A.

All Models

Dimensions (W x D x H):
Unit:
48" x 24" x 29"
(121.9 x 61.0 x 73.7 cm)

Shipping Carton:
51.5" x 27.5" x 34"
(130.8 x 69.9 x 86.4 cm)

Shipping Weight:
345 lb / 157 kg

BTUs per hour:
20,000

Accessories

| Model Number | Description |
|--------------|---|
| KVS | Vari-Smart™ Ice Level Control - Program ice bin levels to match ice needs. |
| KSB | Smart-Board™ Advanced Control - Use additional operational data for fast diagnosis. |
| KSB-N | Smart-Board™ Advanced Control with Network - Network capable. |
| ERC311-32A | Remote Condenser for C1448xR, 208-230/60/1 - Consult Remote Condenser Spec Sheet for details. |
| RTE10 | Line set, Precharged, R-404A, 10ft. |
| RTE25 | Line set, Precharged, R-404A, 25ft. |
| RTE40 | Line set, Precharged, R-404A, 40ft. |
| RTE75 | Line set, Precharged, R-404A, 75ft. |

* Scotsman recommends all ice machines have water filtration. See Scotsman Sanitation Matrix for details.

Operating Requirements

| | Minimum | Maximum |
|---------------------------|-------------------|-------------------|
| Air Temperatures | 50°F (10°C) | 100°F (38°C) |
| Water Temperatures | 40°F (4.4°C) | 100°F (38°C) |
| Remote Cond. Temps | -20°F (-29°C) | 120°F (49°C) |
| Water Pressures | 20 PSIG (1.4 bar) | 80 PSIG (5.5 bar) |
| Electrical Voltage | -5% | +10% |

Specifications and design are subject to change without notice.